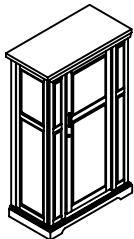










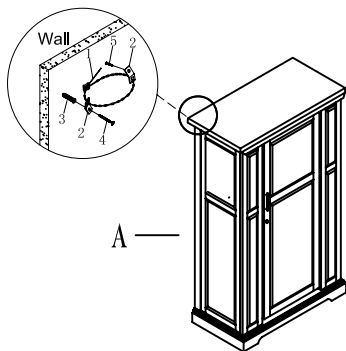
# Assembly Instruction

ITEM:4549 WINE CABINET

PART LIST				ANTI-TIPPING HARDWARE LIST				
A	Wine Cabinet		1 PC	1	TIE WRAP		1PC	
				2	BRACKET		2PCS	
				3	PLASTIC SCREW ANCHOR		1PC	
				4	SCREW		φ4*1-1/2"	1PC
				5	SCREW		φ4*3/4"	1PC
				6	KEY		2PCS	

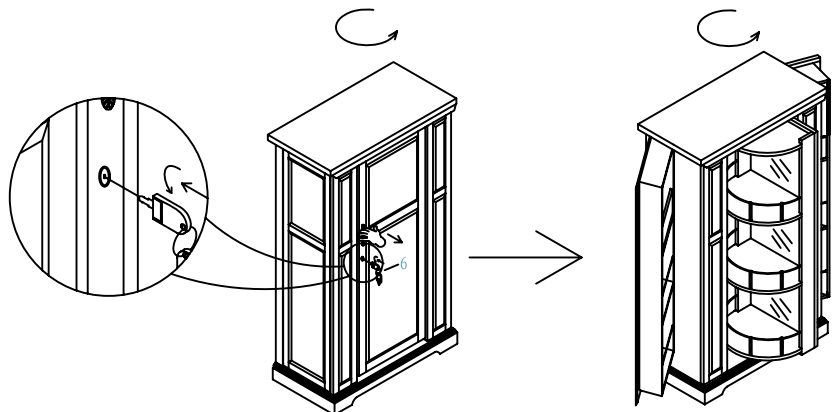
## STEP 1

Assemble the anti-tipping hardware pack to prevent tipping.



## STEP 2 (Open the Wine Cabinet)

Turn the key counterclockwise and pull the door to open the wine cabinet.



## STEP 3 (Close the Wine Cabinet)

Hold the handle and pull to the left to close the wine cabinet.

