

ASSEMBLY INSTRUCTION

3551-04 END TABLE

PART LIST:

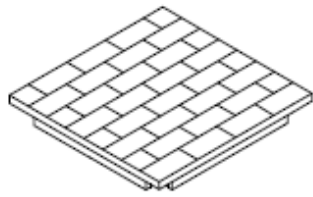


Table Top
A*1 PC

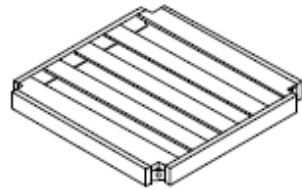
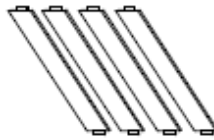


Table Shelf
B*1 PC



Cross Bar
C*4 PCS

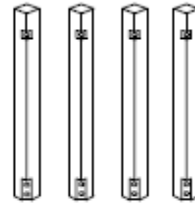
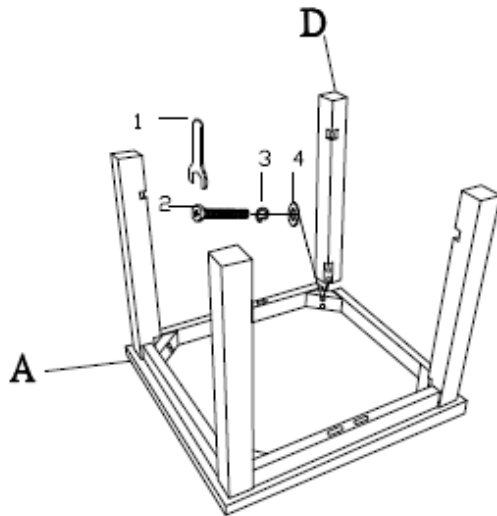


Table leg
D* 4PCS

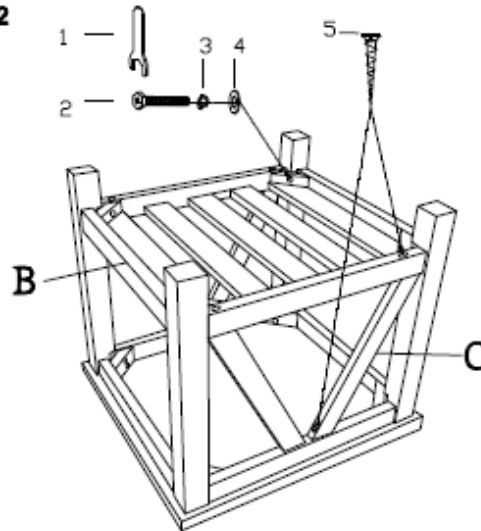
HARDWARE LIST

	Icon	Hardware Name	Specification	Quantity
1		Allen Wrench	4mm	1 PC
2		Bolt	Ø5/16"x2-1/2"	12 PCS
3		Spring Washer	Ø5/16"	12 PCS
4		Flat Washer	Ø5/16"xØ19mm	12 PCS
5		SCREW	Ø8mmx1-1/2"	8 PCS

STEP 1



STEP 2



COMPLETED

