

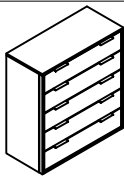







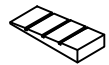

HOMEELEGANCE

ASSEMBLY INSTRUCTION

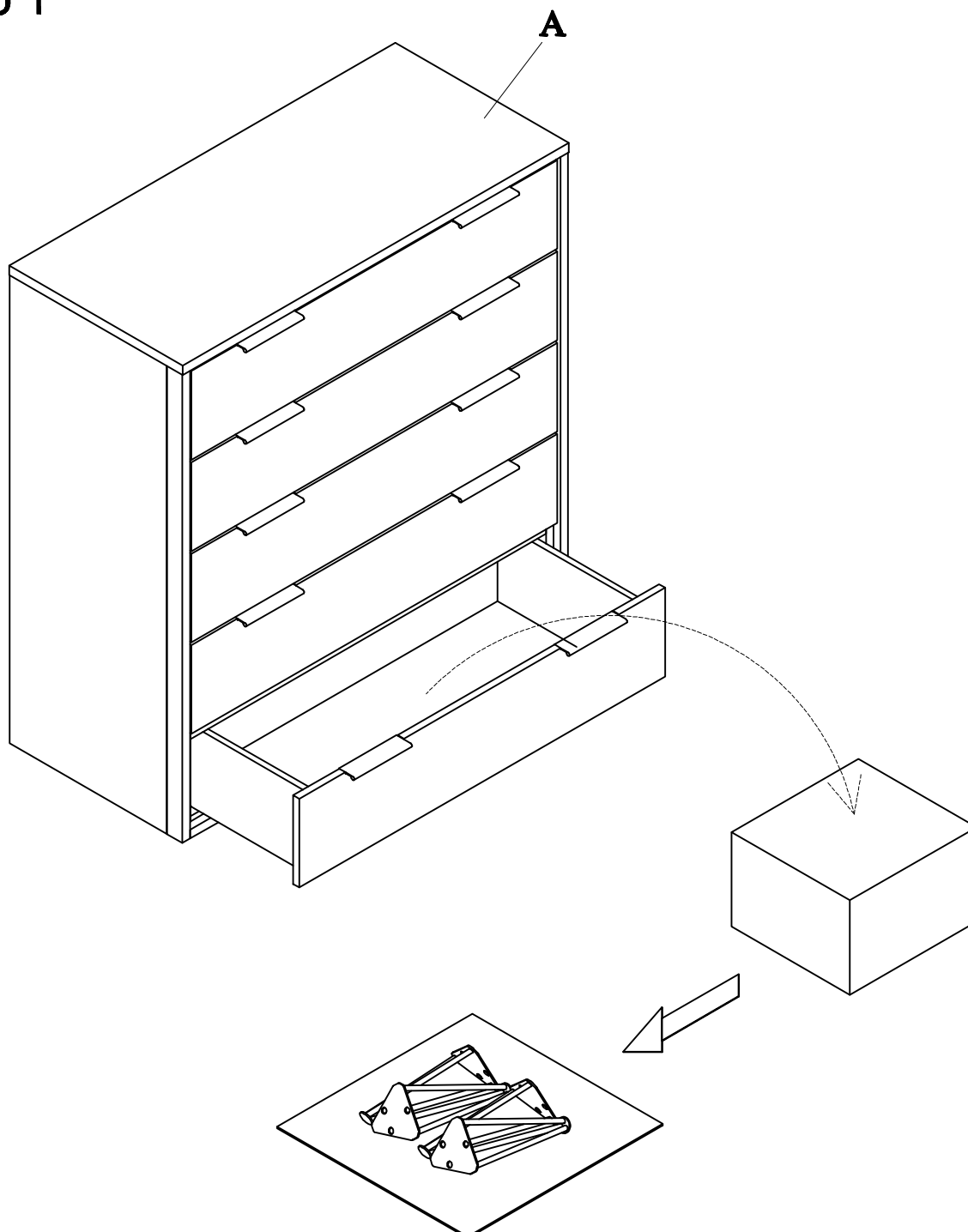
ITEM NO: 1604-9 CHEST

Thank you for purchasing this quality product. Be sure to check all packing material carefully for small parts that may have come loose inside the carton during shipment.

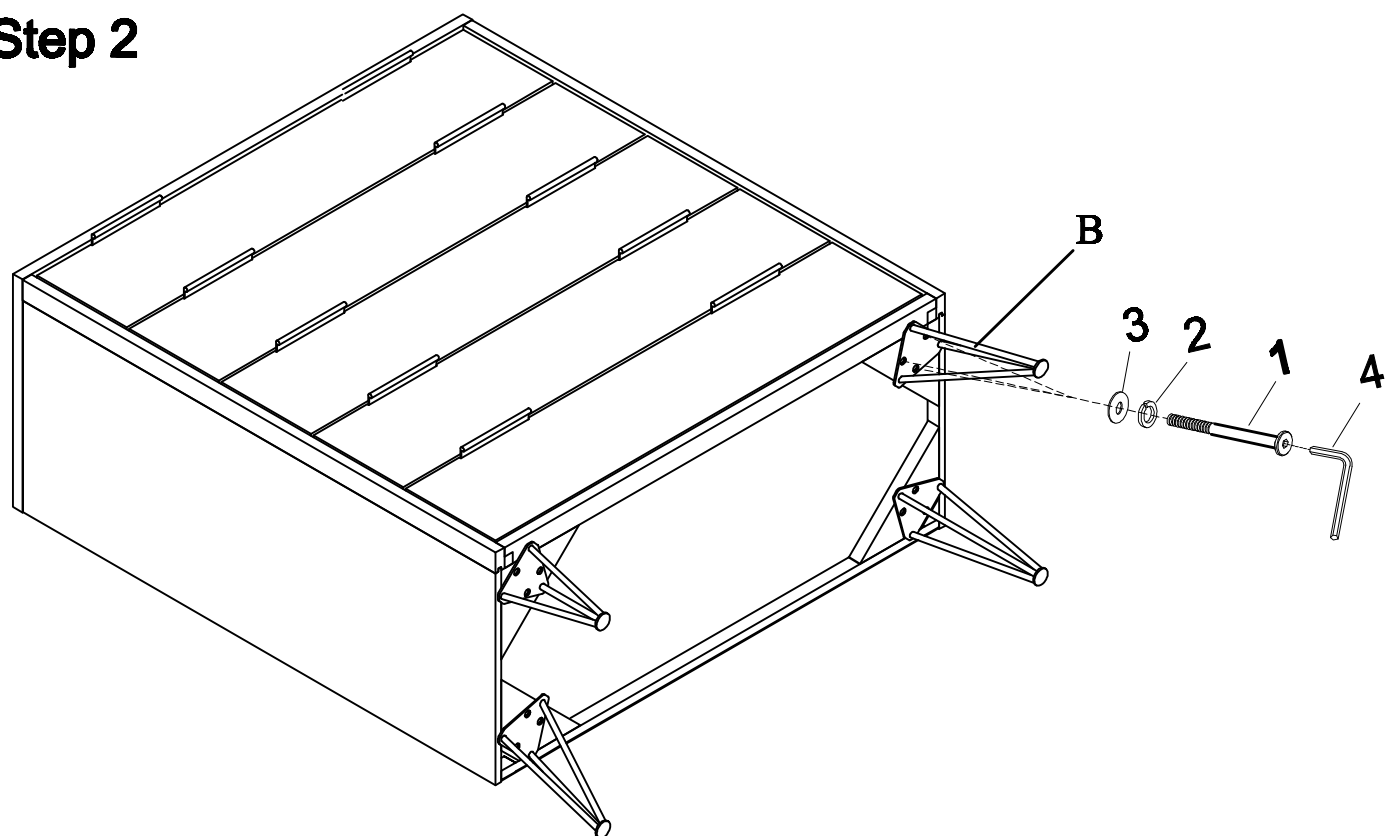
PART LIST			
NO.	Description	Sketch	Q'ty
A	CHEST		1PC
B	LEG		4PCS

HARDWARE LIST				
NO.	Description	Sketch	Size	Q'ty
1	BOLT		Ø5/16"*18*3/4"	12PCS
2	SPRING WASHER		Ø5/16"*12D*1.1mm	12PCS
3	FLAT WASHER		Ø5/16"*19D*2mm	12PCS
4	ALLEN KEY		1/6"	1PC
5	PLASTIC TENON		3 1/2"*3/4"*1/2"	1PC
6	Tipping restraint			1SET

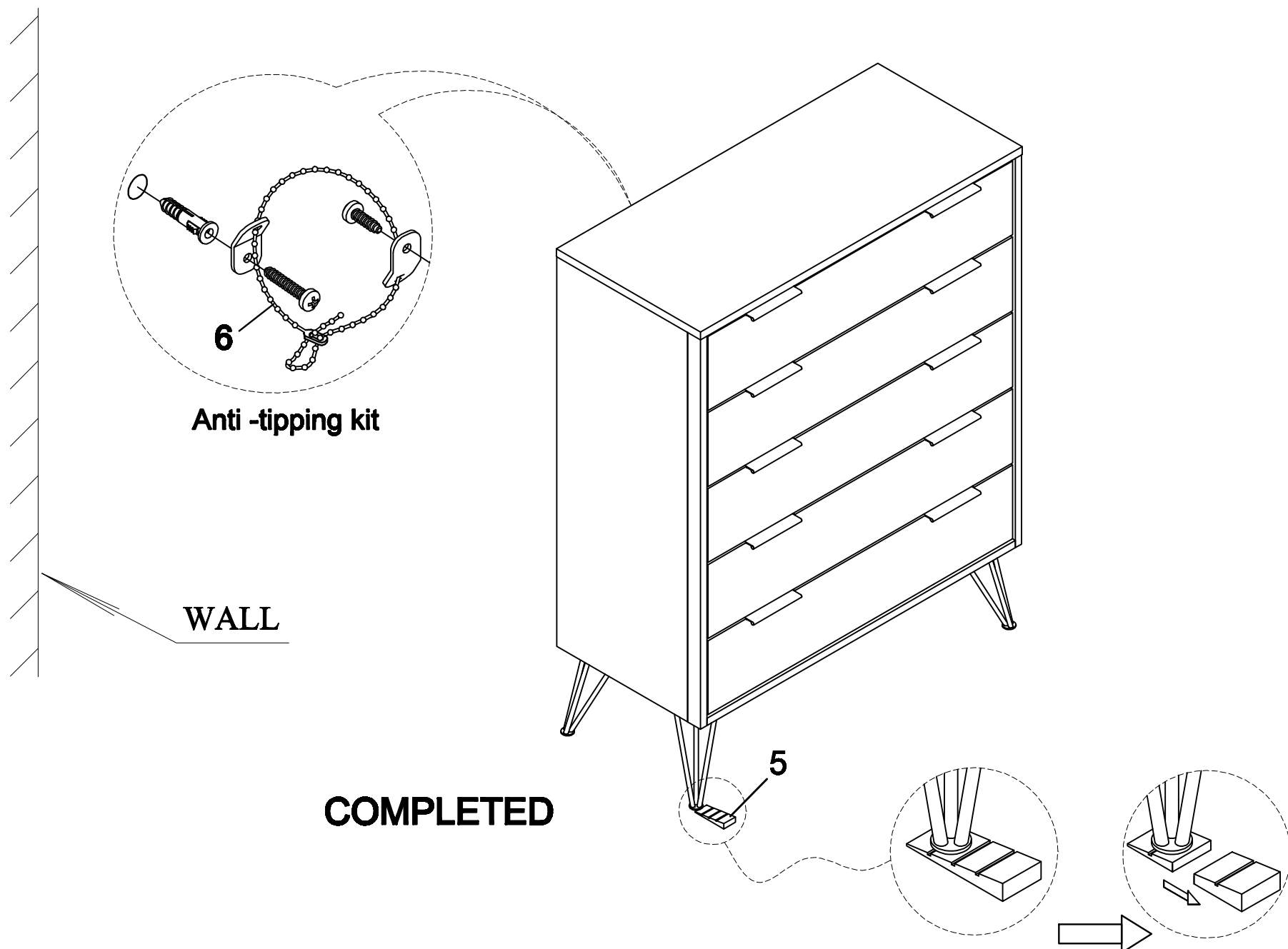
Step 1




Step 2



Step 3



 It is recommended to install protective pads under all legs and supports to avoid damage or scratches when placing furniture on a wood floor or other hard surface, and to limit indentation and prevent discoloration if placing on carpet.

 Il est recommandé de placer des coussins protecteurs sous tous les pieds et toutes les bases des meubles pour éviter d'endommager ou d'égratigner les planchers en bois ou autres surfaces dures, et pour limiter l'empreinte et empêcher la décoloration quand les meubles reposent sur la moquette.

MADE IN VIETNAM