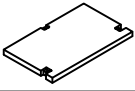
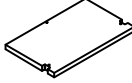

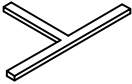











ASSEMBLY INSTRUCTION

ITEM NO: 54150RF-SW/ SM SIDE PIER WOOD PART / METAL
 (1/2) LSF & RSF PIER
 (2/2) LSF & RSF PIER

Thank you for purchasing this quality product. Be sure to check all packing material carefully for small parts that may have come loose inside the carton during shipment.

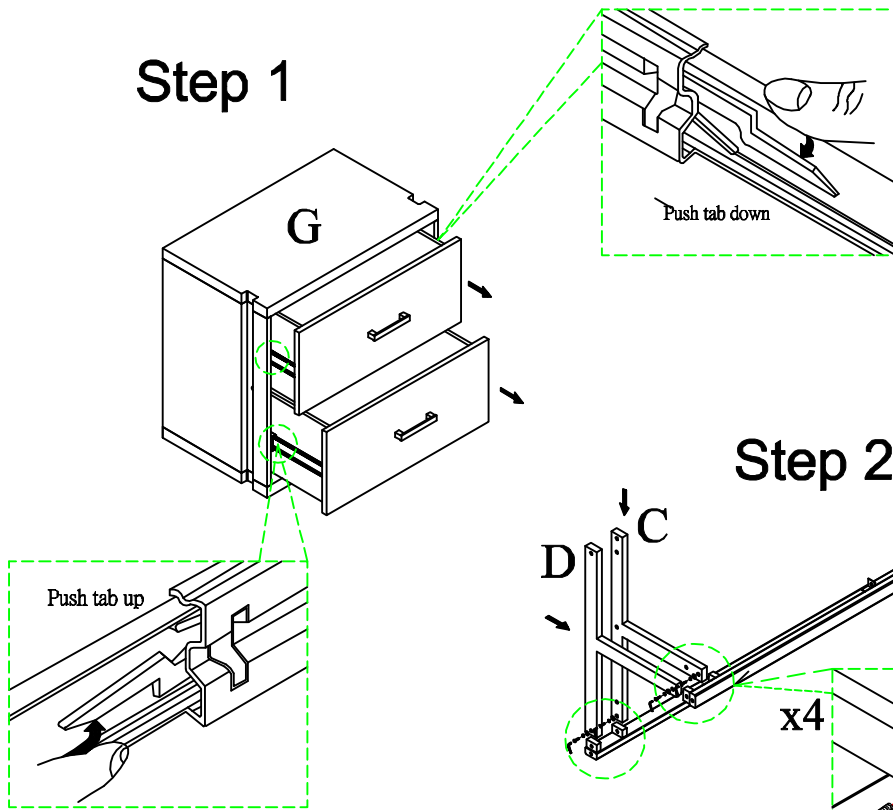
PART LIST			
NO.	Description	Sketch	Q'ty
A	Top Shelf		1PC
B	Middle Shelves		2PCS
C	Upper Metal Support		1PC
D	Lower Metal Support		1PC
E	Rear Metal Frame		1PC
F	Side Metal Frames		2PCS
G	2-drawer Cabinet		1PC

HARDWARE PACK (PUT IN 54150RF-SW CARTON)

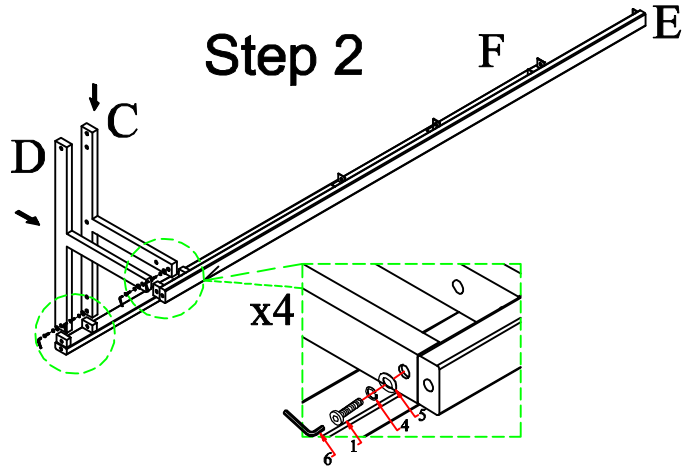
NO.	Description	Sketch	Size	Q'ty
1	BOLT		1/4"-20 x 3/4"	15 PCS
2	BOLT		1/4"-20 x 1-1/4"	2 PCS
3	BOLT		1/4"-20 x 1-3/4"	4 PCS
4	SPRING WASHER		1/4"ID x 2/5"OD x 0.062"Tk	21 PCS
5	FLAT WASHER		9/32"ID x 5/8"OD x 0.080"Tk	21 PCS
6	ALLEN KEY		1/6"	1 PC
7	TIPPING RESTRAINT			2 SETS

ASSEMBLY INSTRUCTION

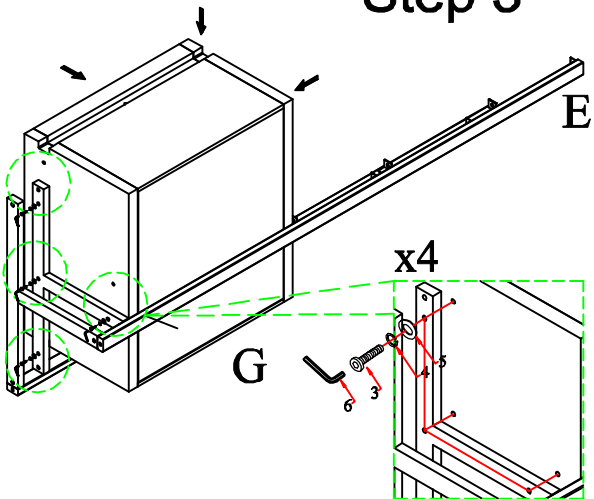
Step 1



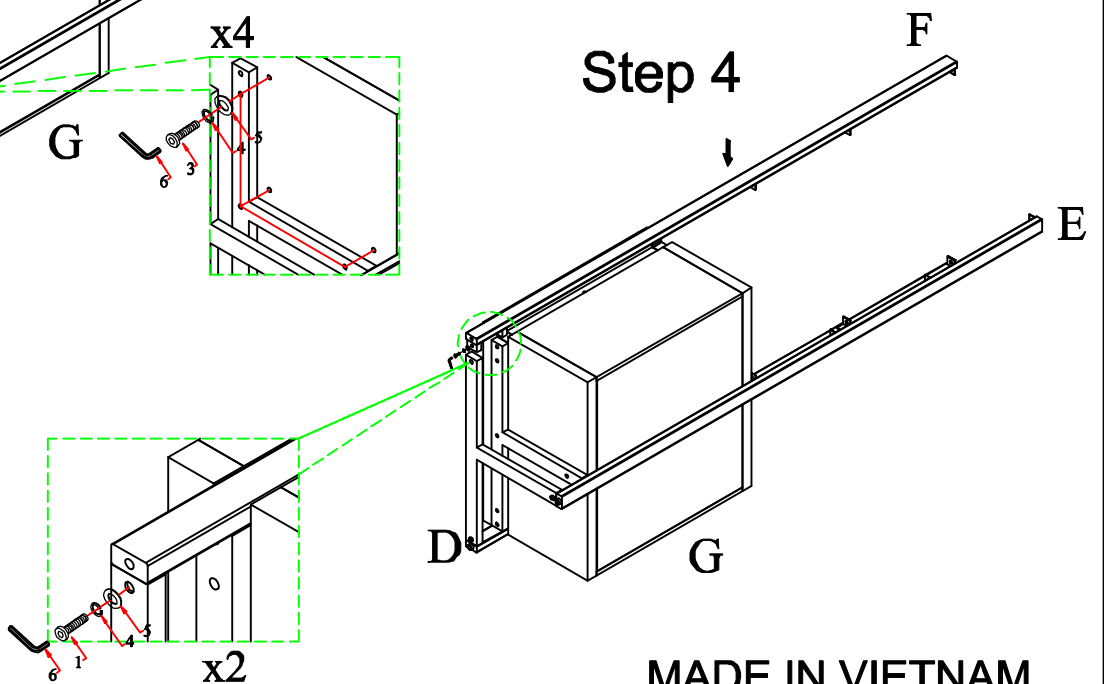
Step 2



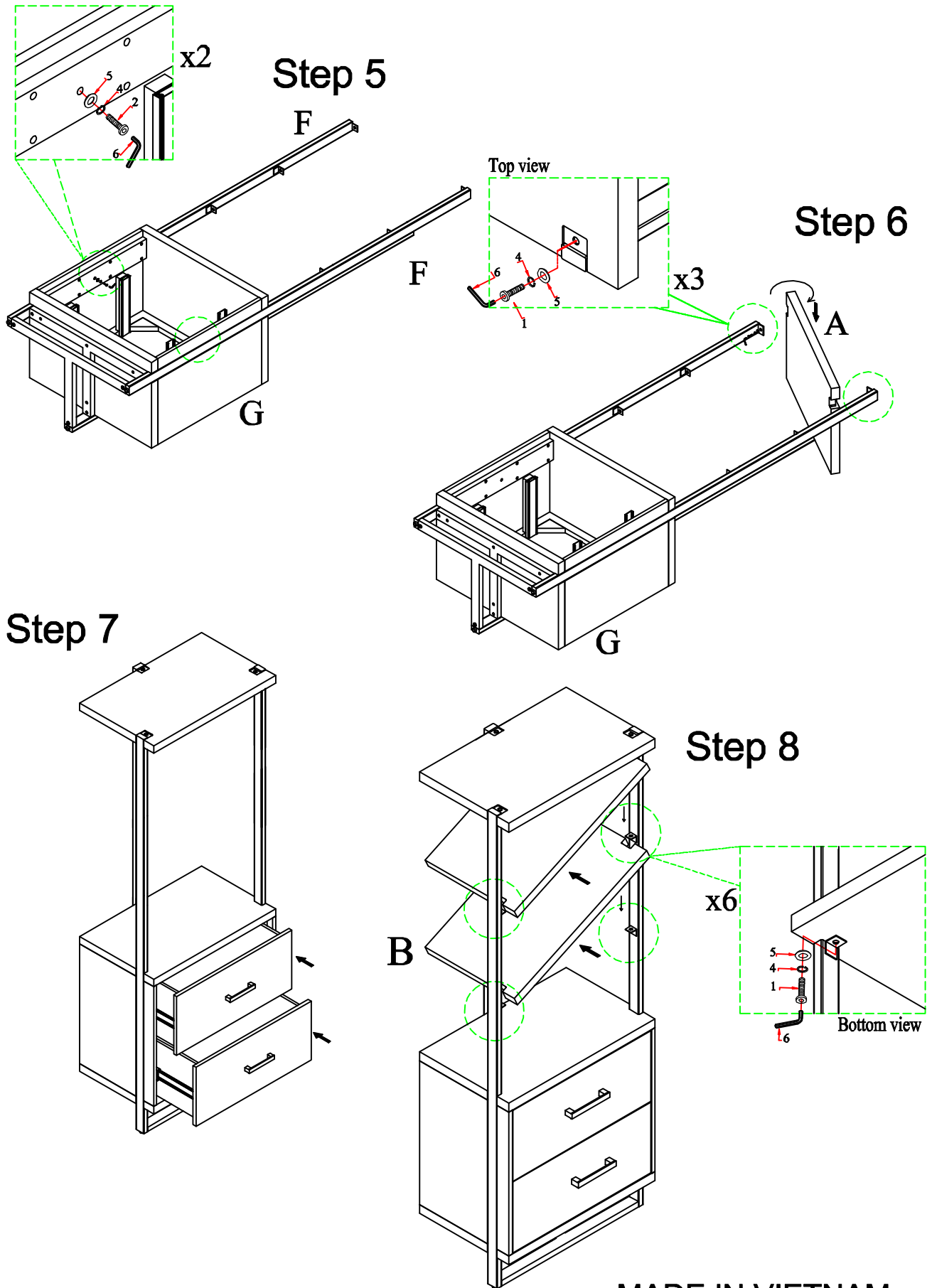
Step 3



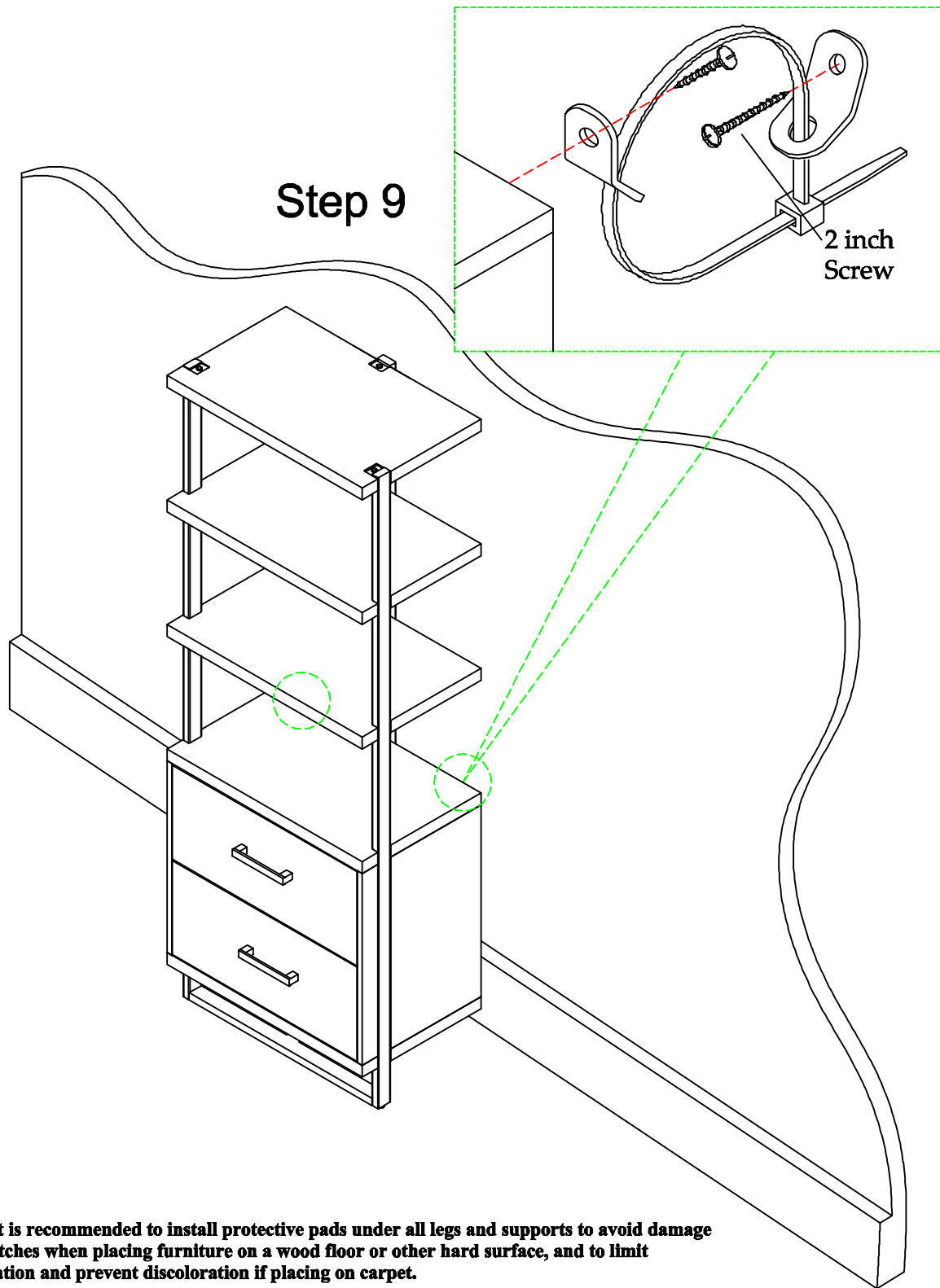
Step 4



ASSEMBLY INSTRUCTION



ASSEMBLY INSTRUCTION



It is recommended to install protective pads under all legs and supports to avoid damage or scratches when placing furniture on a wood floor or other hard surface, and to limit indentation and prevent discoloration if placing on carpet.



Il est recommandé de placer des coussins protecteurs sous tous les pieds et toutes les bases des meubles pour éviter d'endommager ou d'égratigner les planchers en bois ou autres surfaces dures, et pour limiter l'empreinte et empêcher la décoloration quand les meubles reposent sur la moquette.