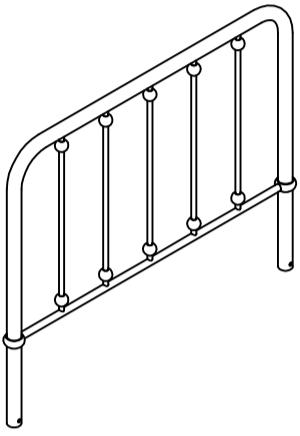


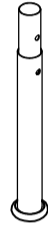
ASSEMBLY INSTRUCTION

1638T-1 TWIN BED

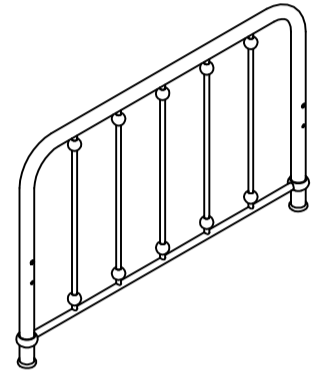
PART LIST:



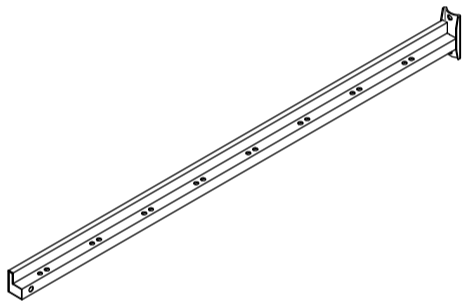
A: Headboard
x 1pc



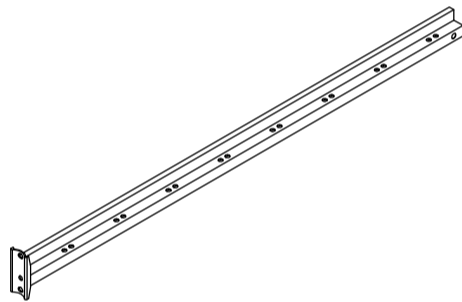
B: Headboard support legs
x 2pcs



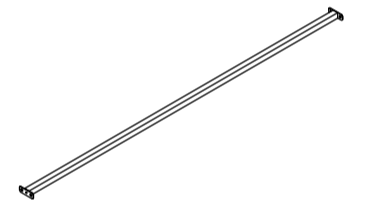
C: Footboard
x 1pc



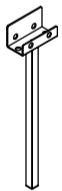
D: Rail Section (1)
x 2pcs



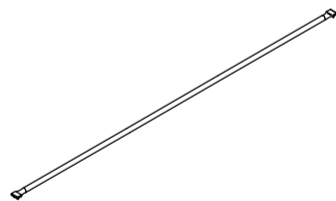
E: Rail Section (2)
x 2pcs



G: Center Support Bar
x 1pc



J: Rail Support Legs
x 2pcs

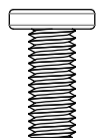


M: Slat with Connectors
x 16pcs

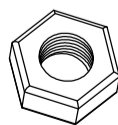
HARDWARE LIST:



1: Bolt 1/4*46mm
x 4pcs



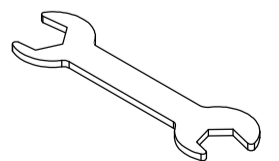
2: Bolt 1/4*16mm
x 14pcs



3: Nut
x 4pcs



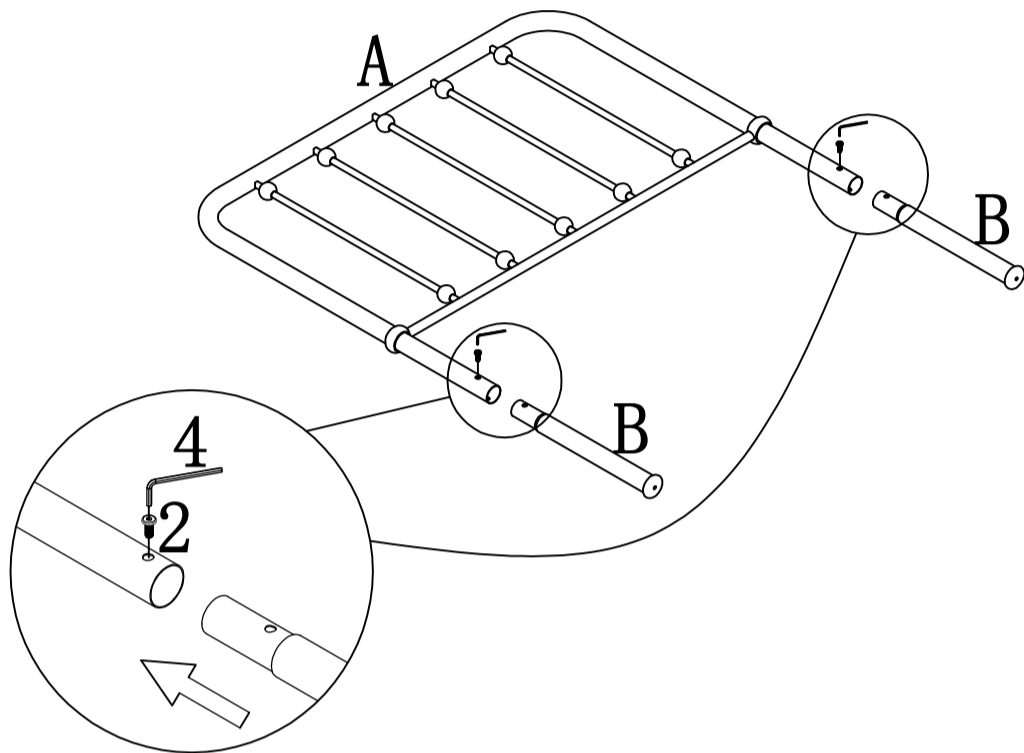
4: Allen Key
x 1pc



5: Wrench
x 1pc

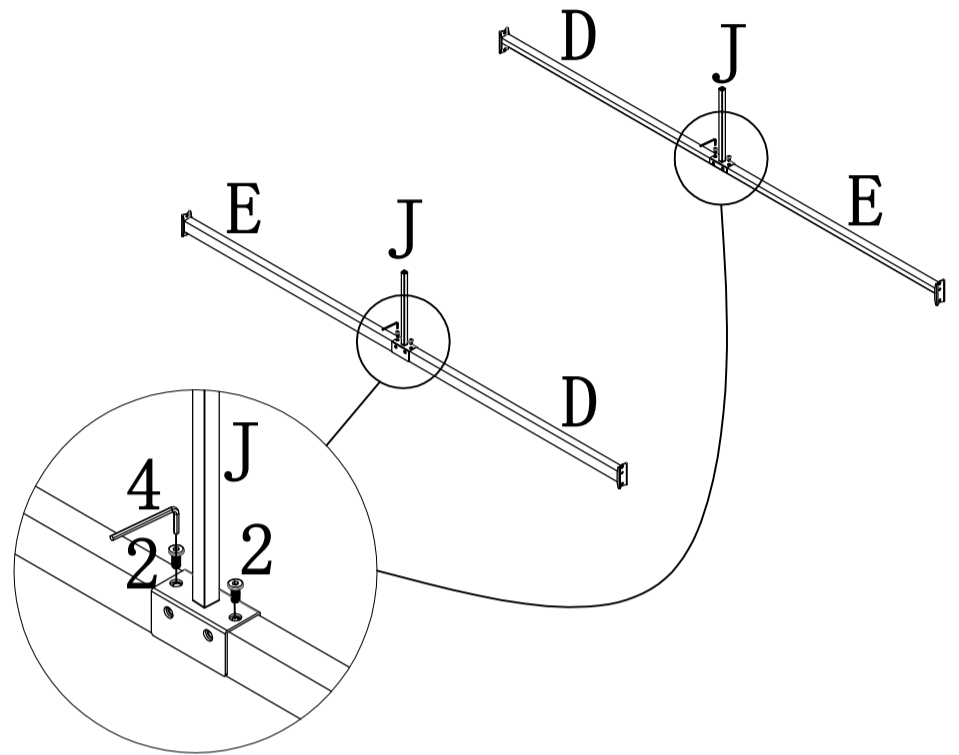
Note: Please do not tighten all bolts until the bed is assembled completely.

STEP 1



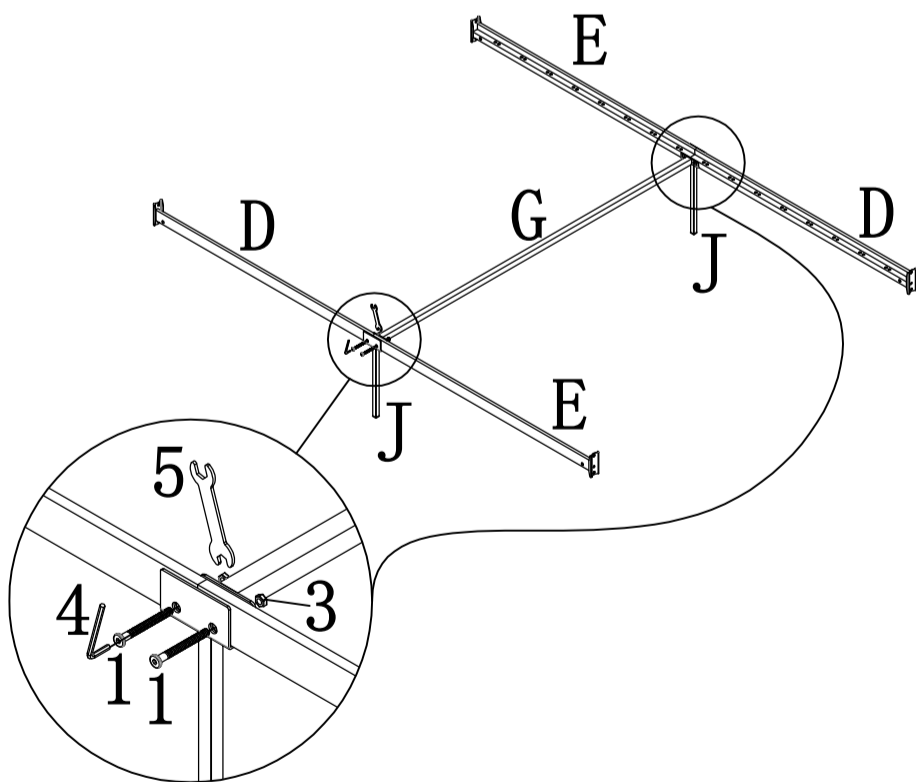
Hardware 3: 2 pcs

STEP 2



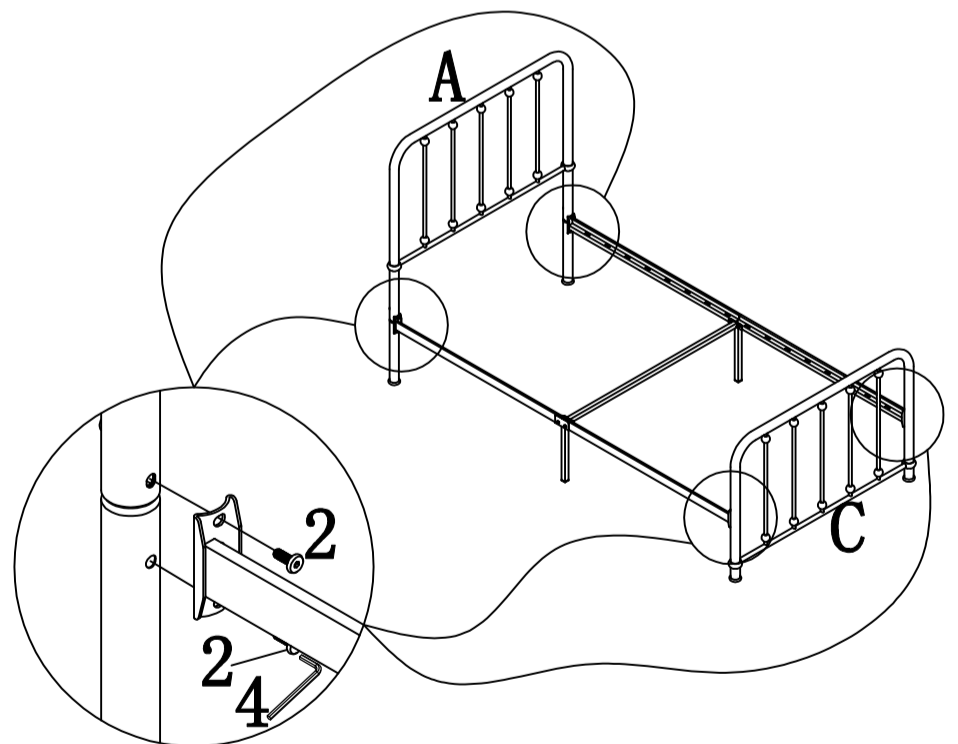
Hardware 3: 4 pcs

STEP 3



Hardware 1: 4 pcs
Hardware 3: 4 pcs

STEP 4

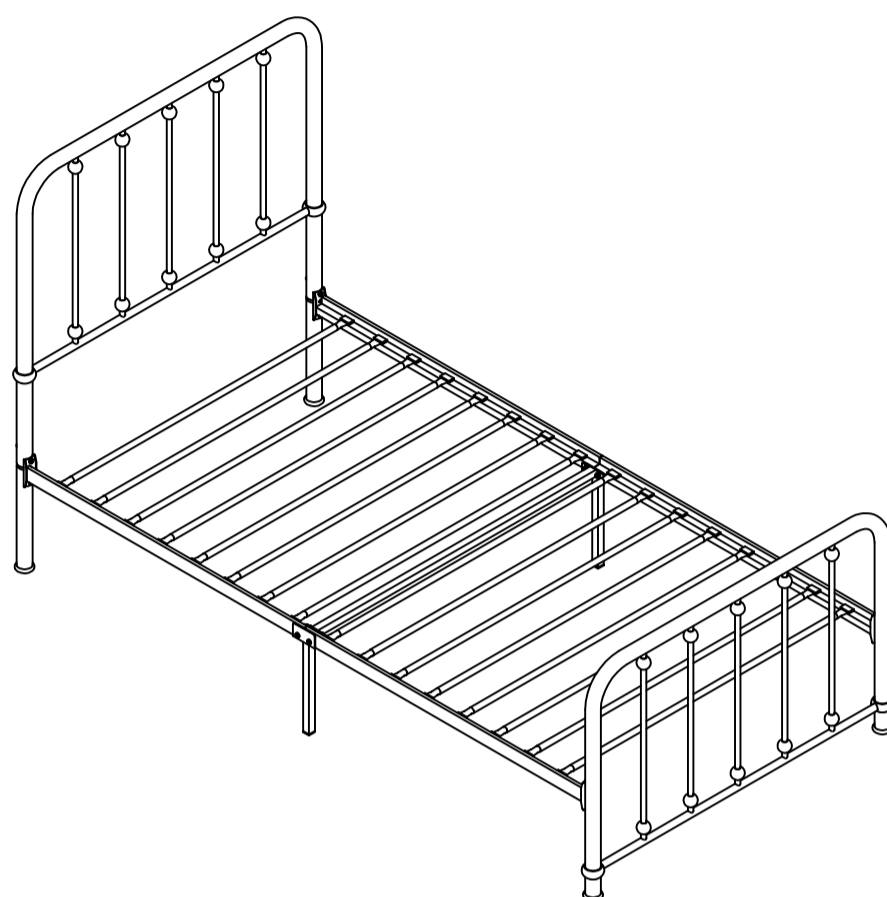
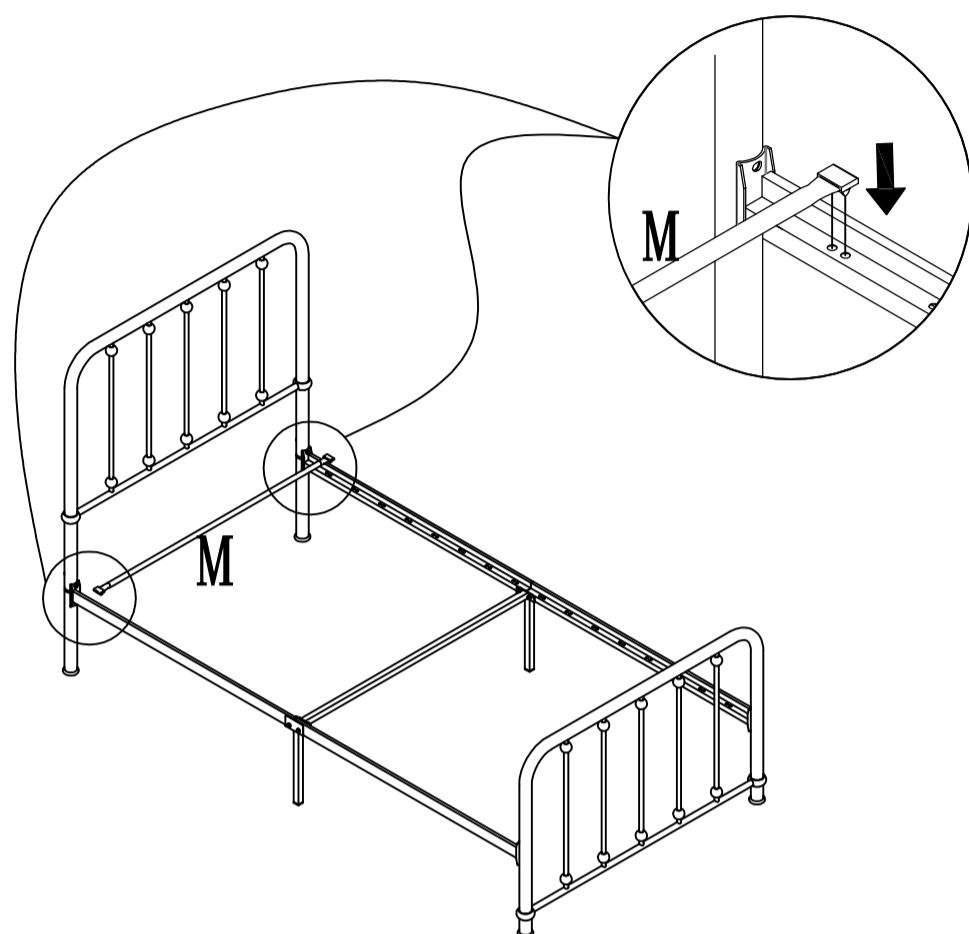


Hardware 2: 8 pcs

Note: Please do not tighten all bolts until the bed is assembled completely.

STEP 5

COMPLETED



For items use on wooden floor, hard surfaces or carpets, it is recommended to install protective pads under all legs and supports to avoid/prevent from damages/scratches and discoloration.