



Assembly Instruction

ITEM NO.: 8525RD-1

Reclining Chair



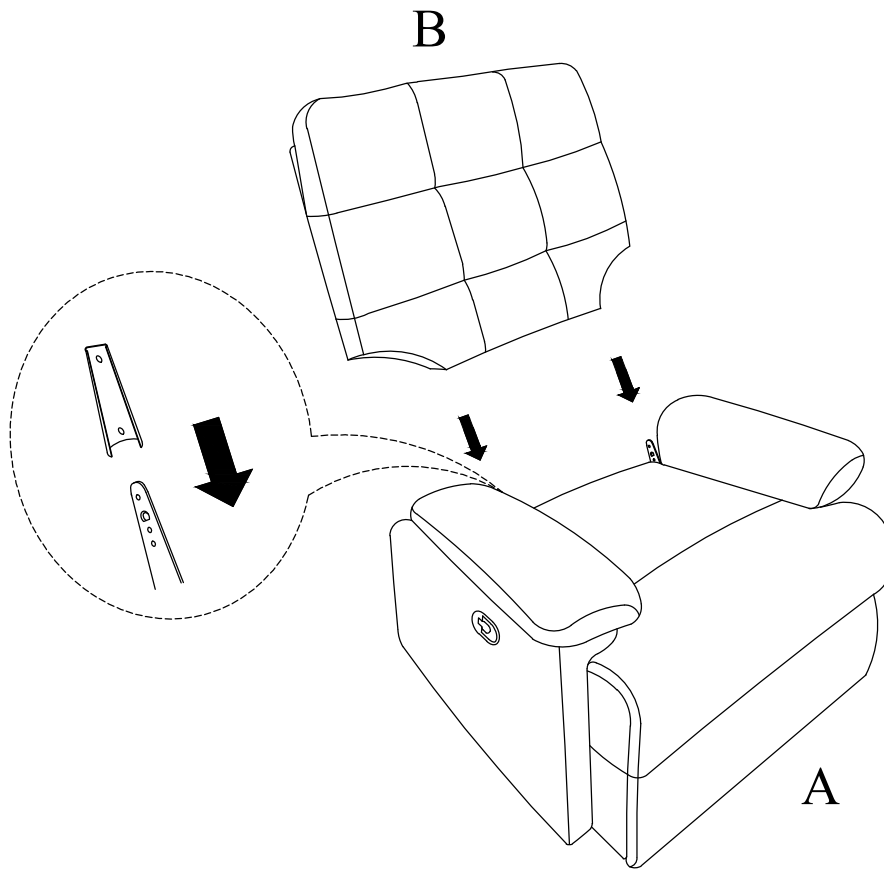
Back rest are stored at the bottom of sofa,
please take out for assembly.

Note: Do not use power tools for assembly. Power tools increase the risk of over tightening which lead to splitting or cracking the wood.

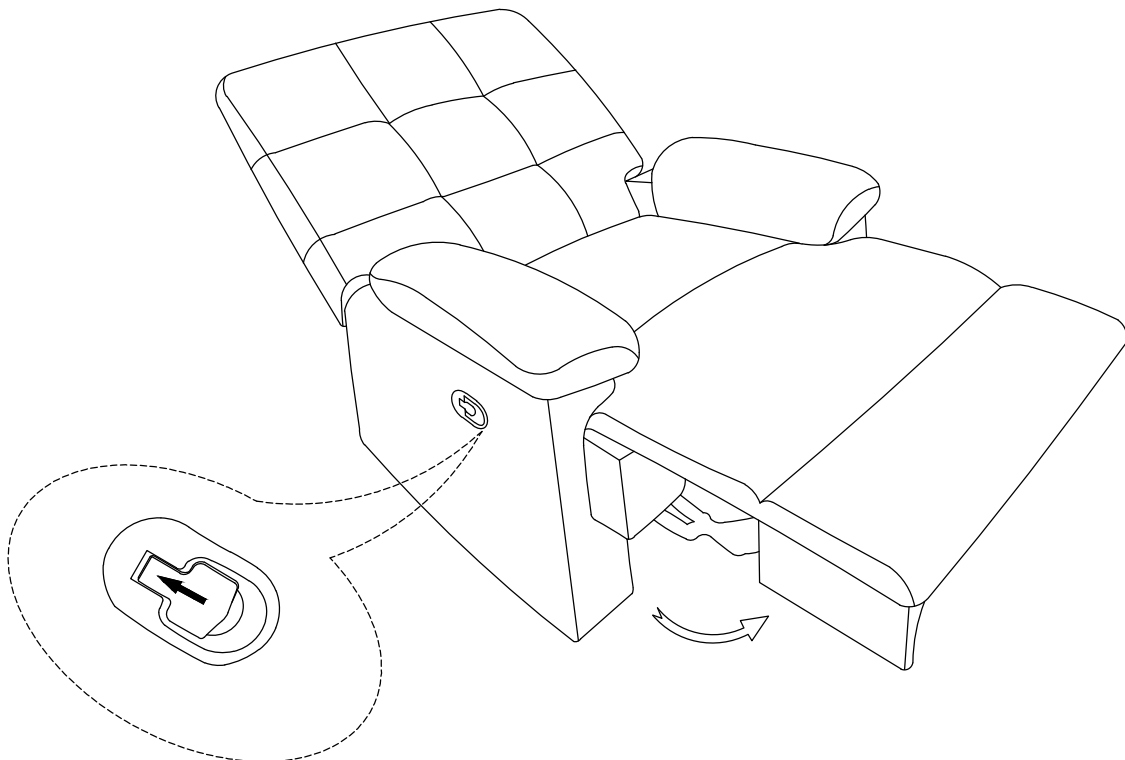
Component list

No	Drawing	Qty	Description
A	A line drawing of a reclining chair seat, showing the front, side, and backrest area. The seat is shown in a slightly reclined position.	1	SEAT
B	A line drawing of a rectangular backrest component with a grid pattern on its surface. It is shown in a slightly curved, folded position.	1	BACK REST

Step #1

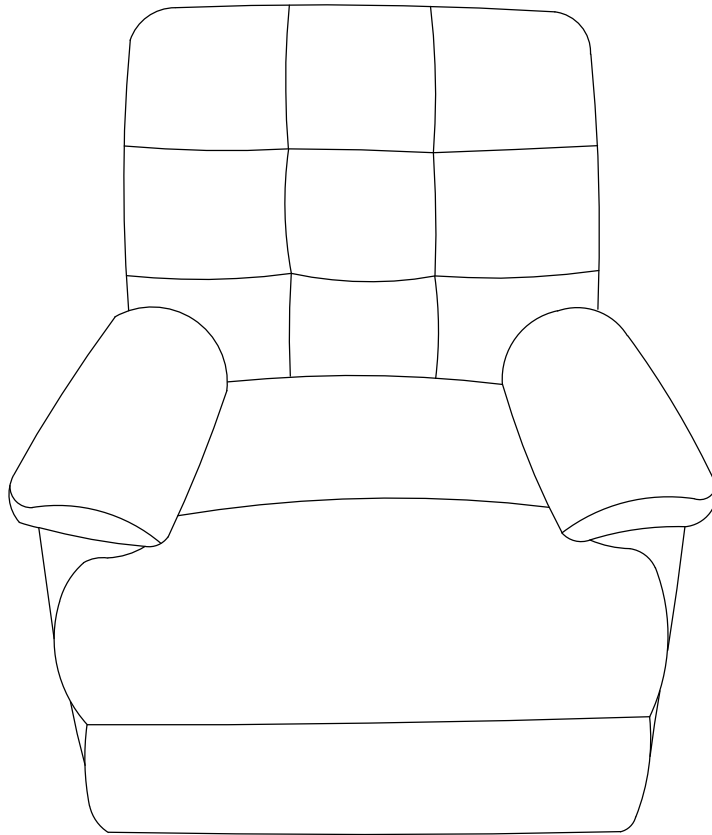


Step #2



Pull to recline the chair

Step #3



Care Instruction for Velvet Furniture:

In order to maintain the original appearance of your velvet Furniture, please follow below simple care procedures:

- Avoid exposing furniture directly to sunlight or heating and air conditioning outlets. Sunlight and or exposure to heating and air conditioning outlets will fade/damage velvet.
- Vacuum or wipe with a soft cloth to remove dust.



For items use on wooden floor, hard surfaces or carpets, it is recommended to Install protective pads under all legs and supports to avoid/prevent from damages/scratches and discoloration.