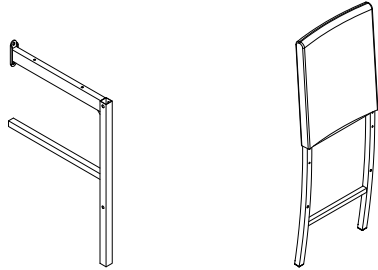




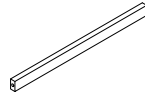
# ASSEMBLY INSTRUCTION

## 2601-24 (3A) COUNTER HEIGHT CHAIR

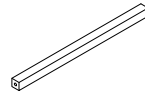
### PART LIST FOR 1 CHAIR:



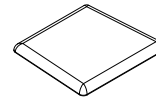
1:Chair Frame L&R 2 PCS  
2:Chair Back 1 PC



3:Front Top Rail 1 PC



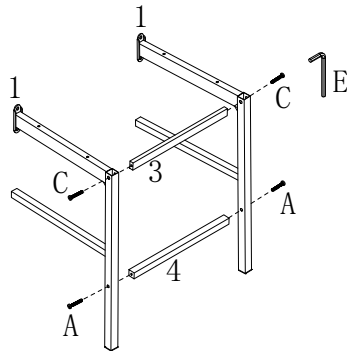
4:Front Stretcher 1 PC



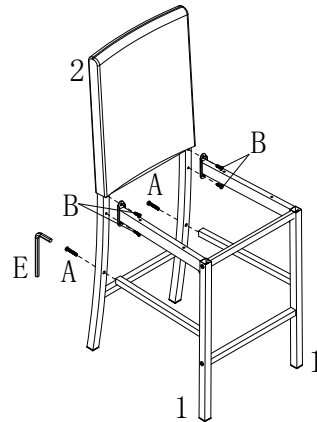
5:Seat Cushion 1 PC

HARDWARE LIST FOR 1 CHAIR				
A		Long Bolt	1/4"*38mm	4 PCS
B		Long Bolt	1/4"*19mm	4 PCS
C		Long Bolt	1/4"*43mm	2 PCS
D		Screw	5mm*56mm	4 PCS
E		L-Allen Key	4mm	1 PC

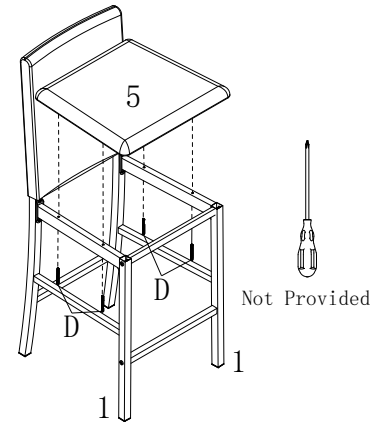
### STEP 1



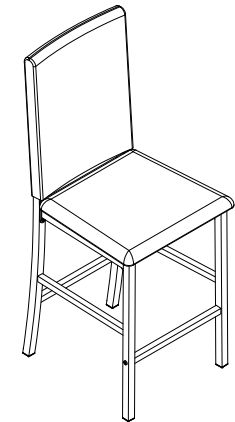
### STEP 2



### STEP 3




### COMPLETED



- (1) Attach L&R chair frame to the front top rail and stretcher, insert bolt (A&C) then tighten with Allen key (E).
- (2) Attach chair back to the chair frame, insert bolt (A&B) then tighten with Allen key (E).
- (3) Attach seat cushion onto the chair frame, insert screw (D) and tighten with screwdriver (Not provided).
- (4) Check and tighten all the bolts completely.

# NOTE:

1. DO NOT TIGHTEN THE BOLTS COMPLETELY UNTIL THE CHAIR IS FULLY SET-UP.
2. PLACE THE CHAIR ON A LEVEL SURFACE TO CHECK FOR WOBBLING.
3. TO AVOID CAUSING DAMAGES TO THE THREADS, DO NOT OVER-TIGHTEN THE BOLTS AND SCREWS.
4. KEEP ALL HARDWARE PARTS OUT OF REACH OF CHILDREN.
5. HARDWARE MAY LOOSEN OVER TIME. PERIODICALLY CHECK TO MAKE SURE ALL CONNECTIONS ARE TIGHT. RE-TIGHTEN IF NECESSARY.

 For items use on wooden floor, hard surfaces or carpets, it is recommended to Install protective pads under all legs and supports to avoid/prevent from damages/scratches and discoloration.