

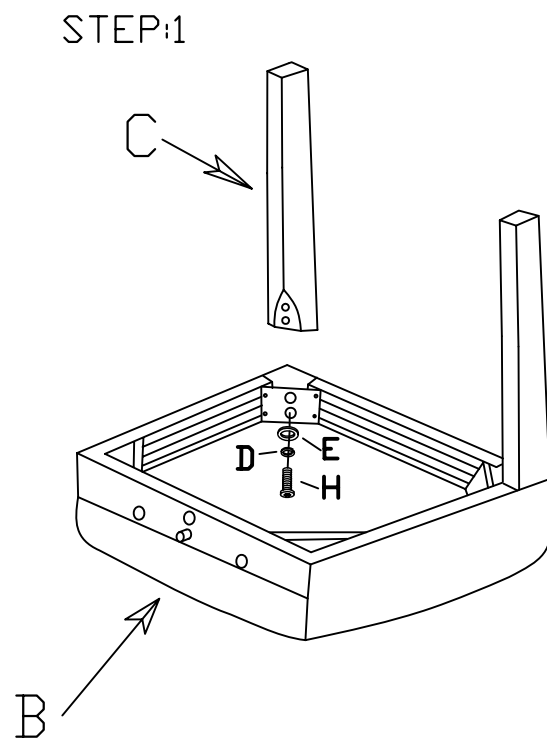
ASSEMBLY INSTRUCTION

ITEM NO: 3270-S1W/3270S1BK SIDE CHAIR

DO NOT TIGHTEN SCREWS UNTIL COMPLETELY ASSEMBLED

- to insure proper assembly, do not fully tighten screws until chair is fully assembled.
Tighten the screws about 80% during assembly process.
- place chair on flat surface and adjust seat and legs until the chair sits even on the floor.
- after the chair is level, tighten the screws
- screws will loosen with time and usage, periodically check and tighten the screws.

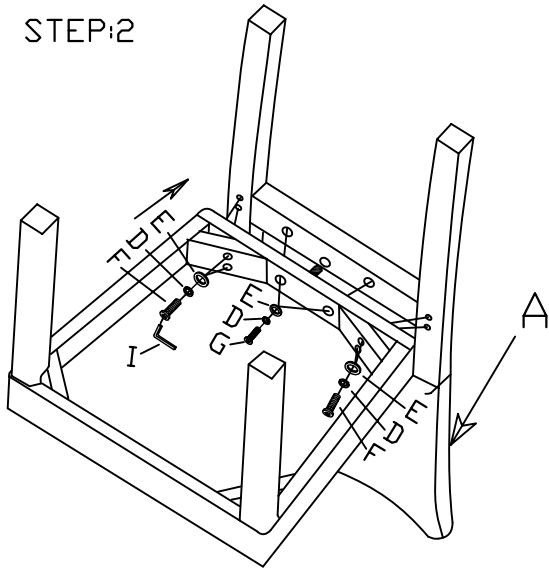
No	DESCRIPTION	Q'TY
A	CHAIR BACK	1PC
B	SEAT	1PC
C	FRONT LEG	2PCS
D	LOCK WASHER ø5/16"	10PCS
E	FLAT WASHER ø5/16"	10PCS
F	BOLT 1/4"DIA ø5/16"X3-1/2"	4PCS
G	BOLT 1/4"DIA ø5/16" X 2"	2PCS
H	BOLT 1/4"DIA ø5/16"X2-1/2	4PCS
I	ALLEN WRENCH ø5/16"	1PC



STEP 1: Put the seat (B) on a smooth flat surface, Attached one front leg (C) to the seat (B) use bolt (H), lock washer (D) and flat washer (E) on both of hole of seat. turn the Allen wrench (I) in Bolt (H); But not too tight.

STEP 2:

STEP:2

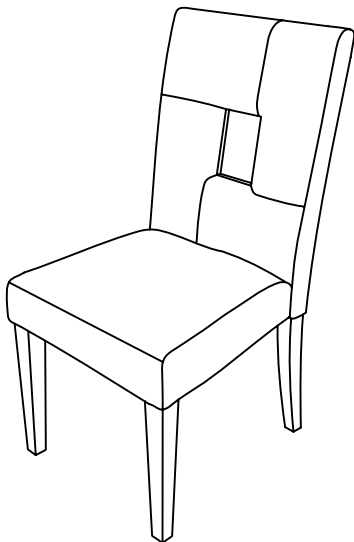


A: Put chair back (A) on a smooth flat surface, Attached the seat (B) with 2 front legs to the chair back (A). use the bolt (F), lock washer (D), Flat washer (E) in both of hole of seat (B) and chair back (A); turn the Allen wrench (I) in bolt (F). But not too tight.

B: Use the bolt (G), lock washer (D), flat washer (E) in both of hole of seat (B) and chair back (A);turn the Allen wrench (I) to tighten the Bolt (G).

C: Tighten all of bolt.

STEP:3



STEP 3:

Turn over the chair assembled to a properly position.

NOTE: DO NOT PUT THE MOIST AND HIGH TEMPERATURE AREA. NO BARGE AGAINST WITH HARD OBJECT.