

ASSEMBLY INSTRUCTION



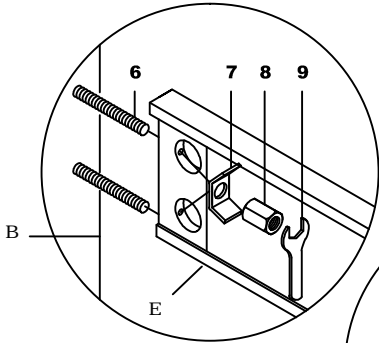
ITEM#: 2168 EK/CK BED
 2168K-1 EK/CK HEADBOARD
 2168K-2 EK/CK FOOTBOARD
 2168K-3EK EASTERN KING RAILS & SLATS
 2168K-3CK CK RAILS WITH TOP CRWON & SLATS

ITEM#: 2168WW EK/CK BED
 2168KWW-1 EK/CK KING HEADBOARD
 2168KWW-2 EK/CK KING FOOTBOARD
 2168KWW-3EK EASTERN KING RAILS & SLATS
 2168KWW-3CK CK RAILS WITH TOP CRWON & SLATS

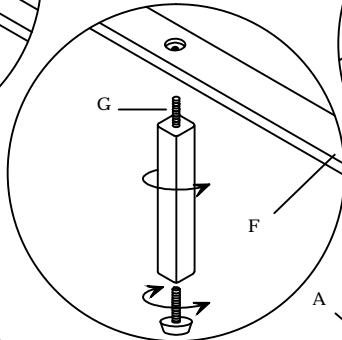
PART LIST		
A	HEADBOARD	1PC
B	HEADBOARD POST (L&R)	2PCS
C	FOOTBOARD	1PC
D	FINIAL	4PCS
E	SIDE RAIL	2PCS
F	SLAT	4PCS
G	SUPPORT LEG	4PCS

HARDWARE LIST IN HEADBOARD CARTON			
1		BOLT 5/16"x1-3/4"L	8PCS
2		SPRING WASHER 5/16"	8PCS
3		FLAT WASHER 5/16"X19MM	8PCS
4		ALLEN WRENCH 5/16"X12MM	1PC

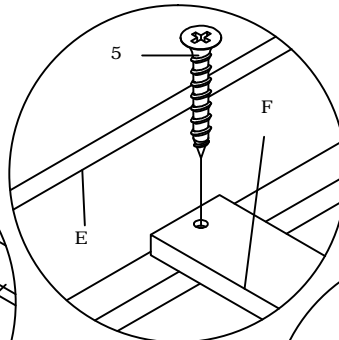
HARDWARE LIST IN RAIL CARTON			
5		WOOD SCREW 8#x1-1/4"L	8PCS
6		ALL-THREAD BOLT 5/16"x3-1/4"L	8PCS
7		BENT WASHER	8PCS
8		HEX NUT 5/16"x18MM	8PCS
9		ALLEN WRENCH 5/16"	1PC



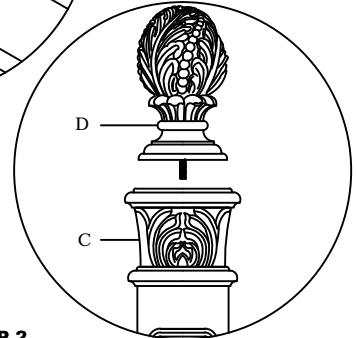
STEP 2



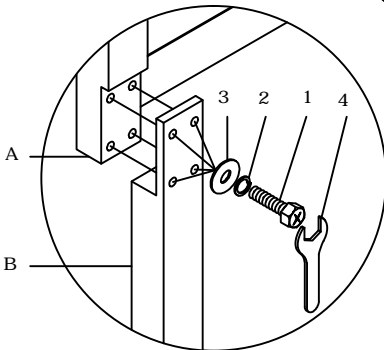
STEP 3



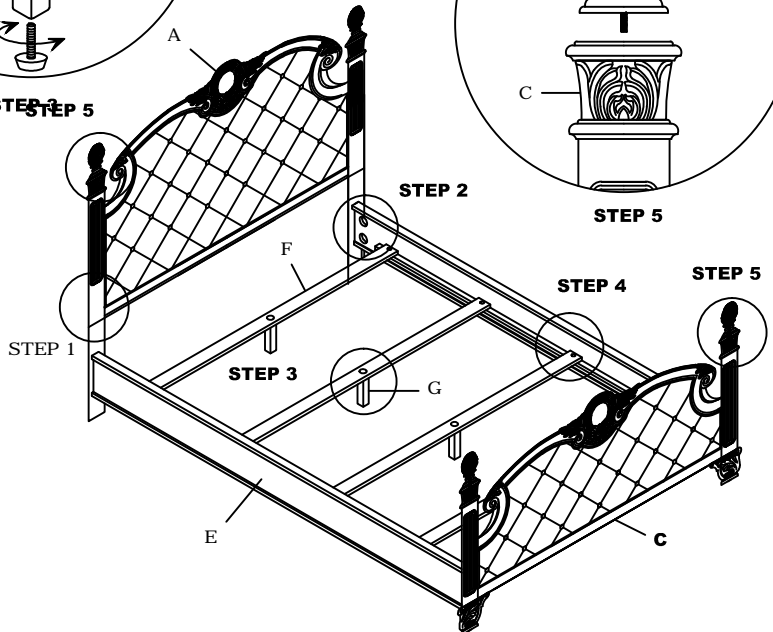
STEP 4



STEP 5



STEP 1



For items use on wooden floor, hard surfaces or carpets, it is recommended to Install protective pads under all legs and supports to avoid/prevent from damages/scratches and discoloration.