


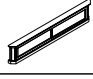














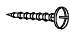
# ASSEMBLY INSTRUCTION




**ITEM NO:** 1513K-1 EK/CK HEADBOARD  
 1513K-2 EK/CK FOOTBOARD & SLATS  
 1513-3 KING/QUEEN SIDE RAILS

**Thank you for purchasing this quality product. Be sure to check all packing material carefully for small parts that may have come loose inside the carton during shipment.**

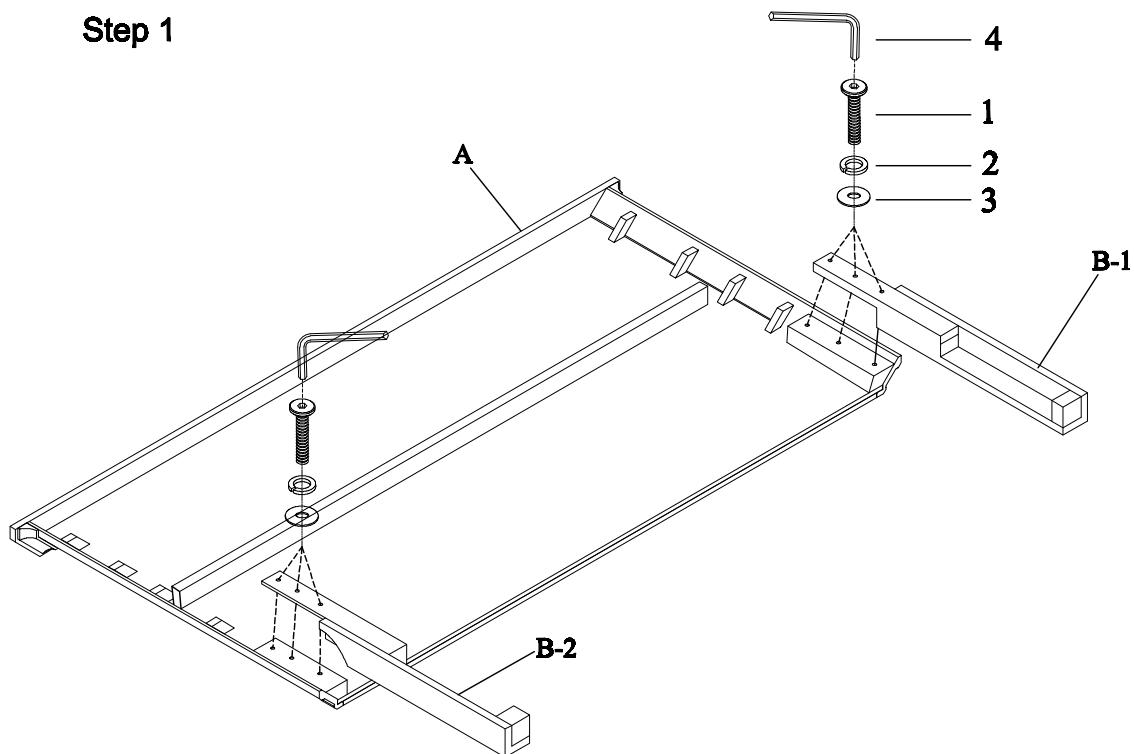
PART LIST			
NO.	Description	Sketch	Q'ty
A	HEADBOARD		1PC
B-1	HEADBOARD LEG(LSF)		1PC
B-2	HEADBOARD LEG(RSF)		1PC
C	FOOTBOARD		1PC
D	FOOTBOARD LEG		2PCS
E	SIDE RAILS		2PCS
F	SUPPORT LEGS		8PCS
G	SLAT		4PCS

HARDWARE LIST (PUT IN 1513K-1 CARTON)				
NO.	Description	Sketch	Size	Q'ty
1	BOLT		5/16"-18x1 3/4"	6PCS
2	SPRING WASHER		5/16"IDx1/2"ODx1/16"TK	6PCS
3	FLAT WASHER		5/16"IDx3/4"ODx1/16"TK	6PCS
4	ALLEN KEY		1/6"	1PC

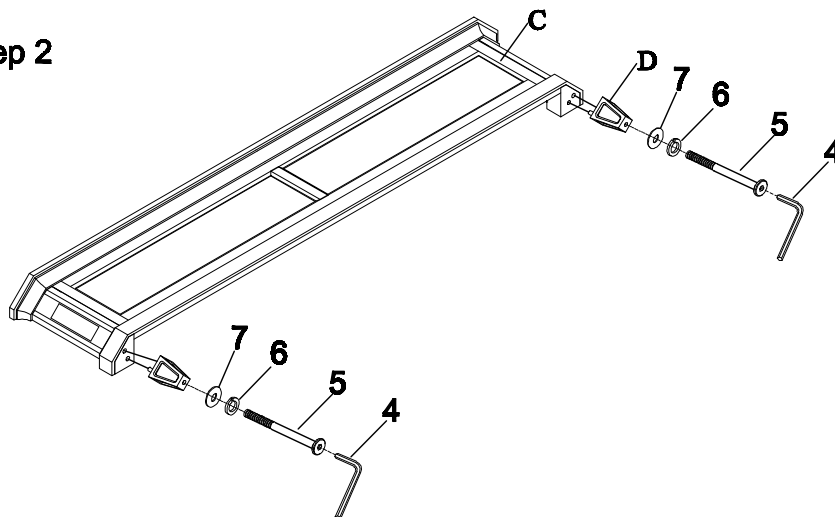
HARDWARE LIST (PUT IN 1513K-2 CARTON)				
NO.	Description	Sketch	Size	Q'ty
5	BOLT		5/16"-18x4 3/4"	2PCS
6	SPRING WASHER		5/16"IDx1/2"ODx1/16"TK	2PCS
7	FLAT WASHER		5/16"IDx3/4"ODx1/16"TK	2PCS
4	ALLEN KEY		1/6"	1PC
8	SCREW		5/16"-8x1 1/4"	8PCS

HARDWARE LIST (PUT IN 1513-3 CARTON)				
NO.	Description	Sketch	Size	Q'ty
9	THREAD BOLT		5/16"-81x3-1/2"	8PCS
10	HEX NUT		5/16"IDx3/4"ODx1/16"TK	8PCS
11	WRENCH		1/2"	1PC

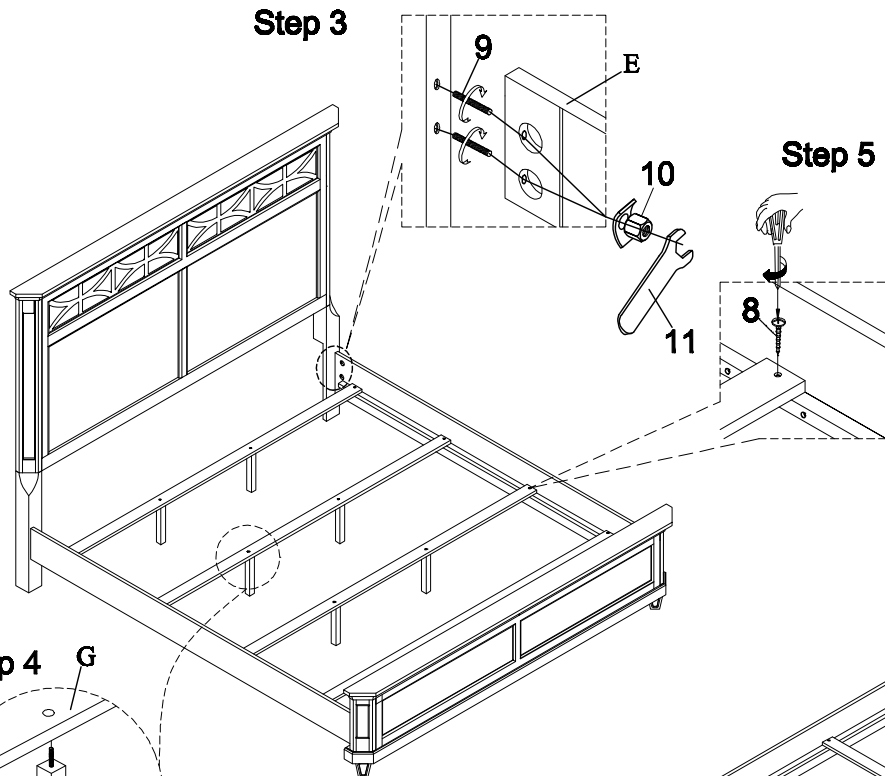
## Step 1



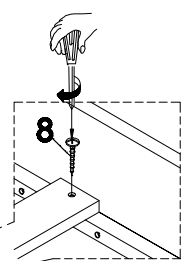
## Step 2



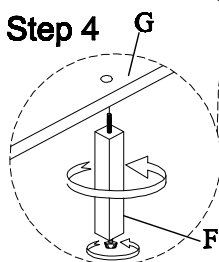
## Step 3



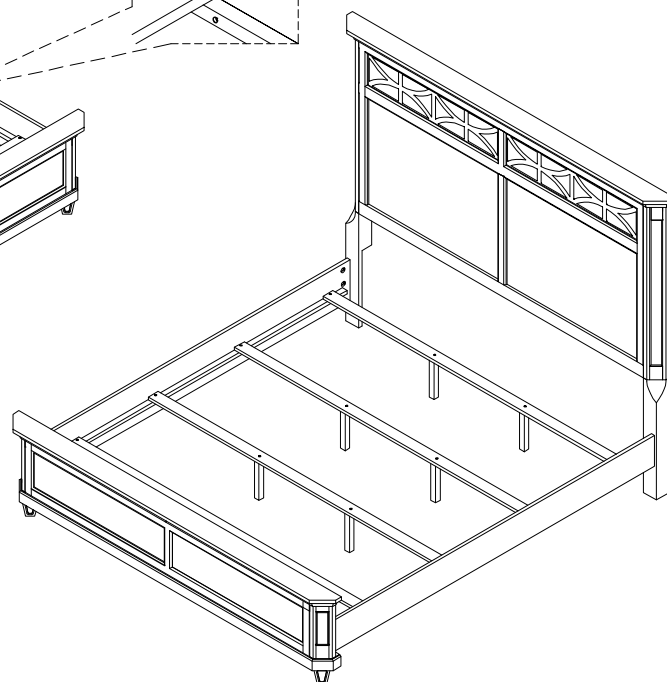
## Step 5



## Step 4



leveler



COMPLETED



It is recommended to install protective pads under all legs and supports to avoid damage or scratches when placing furniture on a wood floor or other hard surface, and to limit indentation and prevent discoloration if placing on carpet.



Il est recommandé de placer des coussins protecteurs sous tous les pieds et toutes les bases des meubles pour éviter d'endommager ou d'égratigner les planchers en bois ou autres surfaces dures, et pour limiter l'empreinte et empêcher la décoloration quand les meubles reposent sur la moquette.

MADE IN VIETNAM